

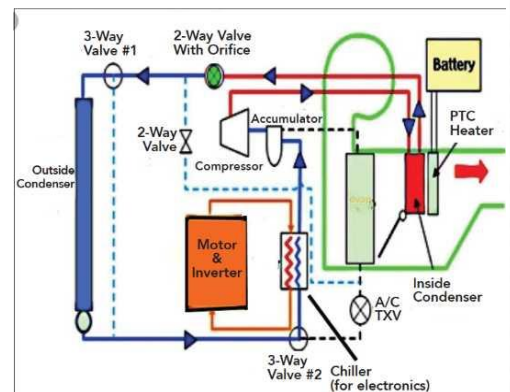


# Electrical Operation and Testing

To keep up with today's high tech vehicles, enroll in an ACDelco training session. These sessions include the latest technical information and hands on exercises using real vehicle concerns to prepare technicians to effectively diagnose and repair today's vehicles.

## COURSE DETAILS - Trainer: Lee Hammler

**Date:** 3/30/20 - 3/31/20 \*2 Day Event  
**Time:** 6:00\* PM - 10:00 PM  
**Course #:** SEL0101L  
**Location:** Rochester Comm Technical College  
Heinz Center Room H1134  
**Street Address:** 1926 College View RD  
**City, State, Zip:** Rochester, MN 55904



\* Meal served at 5:30pm Sponsored by Johnston Autostores

Enroll online at [acdelcotraining.com](http://acdelcotraining.com) or call 1-800-825-5886 (prompt 1).

This technical training valued at \$175 is offered to PSC & Key Fleet members in accordance with the GM/ACDelco My Partner Perks Program guidelines.

## COURSE DESCRIPTION

This Instructor-led Training (ILT) course covers the properties of electricity, electrical testing, and diagnosis. Topics covered include: review of the common circuits and functions used in vehicle electrical systems, DMM functions and usage, test lights, terminal service and component testing. Exercises allow participants to apply circuit testing strategies and tools to different components, circuits, and functions.



Visit [acdelcotraining.com](http://acdelcotraining.com) for the latest information

The information in this publication is current at time of distribution and is subject to change or cancellation.



### TRAINING MISSION STATEMENT

ACDelco's mission is to provide aftermarket service professionals with the skills necessary to help safely and effectively diagnose and repair customer vehicles utilizing inviting education methods within an extensive and engaging training portfolio.