

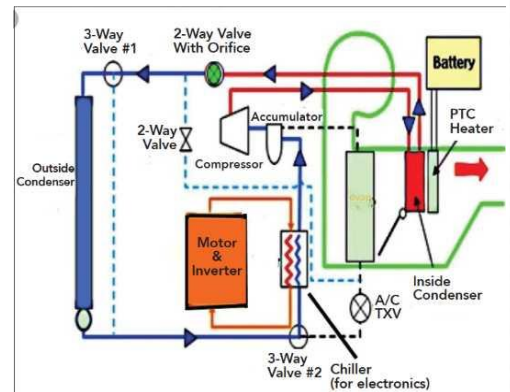


Refrigeration Systems Operation & Testing

To keep up with today's high tech vehicles, enroll in an ACDelco training session. These sessions include the latest technical information and hands on exercises using real vehicle concerns to prepare technicians to effectively diagnose and repair today's vehicles.

COURSE DETAILS - Trainer: Lee Hammler

Date: 1/08/20 - 1/09/20 *2 Day Event
Time: 6:00* PM - 10:00 PM
Course #: S-AC07-05.01ILT
Location: Des Moines Area Comm College
Building 13 Room 11
Street Address: 2006 South Ankeny
City, State, Zip: Ankeny, IA 50023



* Meal served at 5:30pm Sponsored by Johnston Autostores

Enroll online at acdelcotraining.com or call 1-800-825-5886 (prompt 1).

This technical training valued at \$175 is offered to PSC & Key Fleet members in accordance with the GM/ACDelco My Partner Perks Program guidelines.

COURSE DESCRIPTION

This full day Instructor-Led Training (ILT) course will provide technicians with the foundational knowledge required to effectively service, diagnose and repair R-134a and R-1234yf based A/C systems. The operation, computerized control and common failures will be discussed from the point of view of system diagnostics and servicing.

The following components will be covered in detail:

- Variable displacement compressors
 - Electrically driven compressors
 - Internal Heat Exchangers (IHX)
 - Enhanced evaporators
- Hands-on exercises will emphasize proper use of the tools and equipment while performing common service scenarios and diagnostics.



Visit acdelcotraining.com for the latest information

The information in this publication is current at time of distribution and is subject to change or cancellation.



TRAINING MISSION STATEMENT

ACDelco's mission is to provide aftermarket service professionals with the skills necessary to help safely and effectively diagnose and repair customer vehicles utilizing inviting education methods within an extensive and engaging training portfolio.